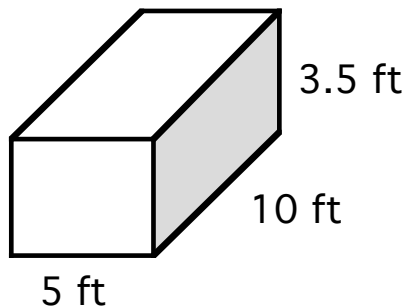


**Palomar College Math Placement Test Study Guide  
Prealgebra**

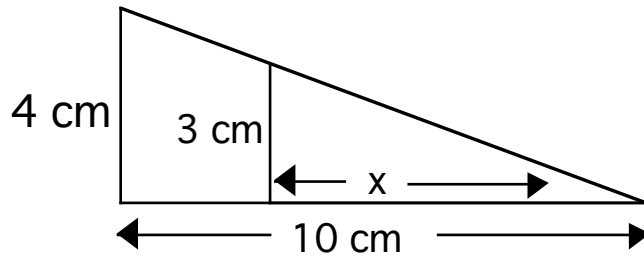
**Topic 8: Geometry and Measurement**

1. If the area of a rectangle is 132 square inches, and the length of the rectangle is 22 inches, what is the width of the rectangle?
2. Find the area and perimeter of a rectangle with length 8.5 feet and width 2.8 feet.
3. A square playground covers 500 square yards. Which of the following is closest to the length of one side of the playground?  
a, 20 yds.   b. 30 yds.  
c. 50 yds   d. 100 yds.
4. Find the exact area and circumference of a circle with a diameter of 5 centimeters.
5. A right triangle has legs of lengths 3 feet and 4 feet. Find the perimeter and area of the triangle.
6. A right triangle has hypotenuse 13 meters and one leg 5 meters. Find the length of the other leg.
7. Find the complement and supplement of a  $57^\circ$  angle.
8. Find the volume:



9. Two angles of a triangle measure  $44^\circ$  and  $117^\circ$ . Find the measure of the third angle.

10. Find  $x$ .



**Answers are on the next page.**

**Palomar College Math Placement Test Study Guide  
Prealgebra**

**Topic 8: Geometry and Measurement**

**Answers:**

1. The width of the rectangle is 6 inches.
2. The perimeter of the rectangle is 22.6 ft.  
The area of the rectangle is 23.8 square feet.
3. (a)
4. The area of the circle is  $6.25\pi \text{ cm}^2$ .  
The circumference of the circle is  $5\pi \text{ cm}$ .
5. The perimeter of the triangle is 12 ft.  
The area of the triangle is  $6 \text{ ft}^2$ .
6. The other leg of the triangle is 12 meters long.
7. The complement is  $33^\circ$ .  
The supplement is  $123^\circ$ .
8. The volume is  $175 \text{ ft}^3$ .
9. The measure of the third angle is  $19^\circ$ .
10.  $x = 7.5 \text{ cm}$